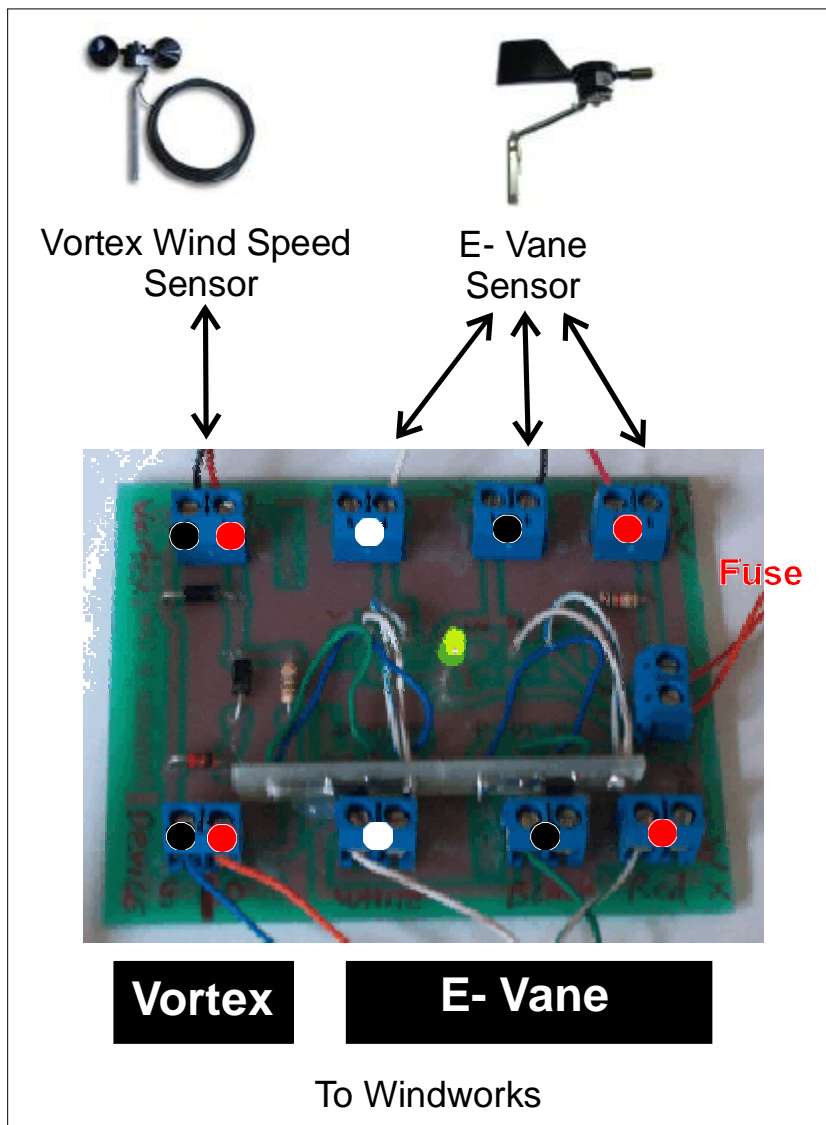


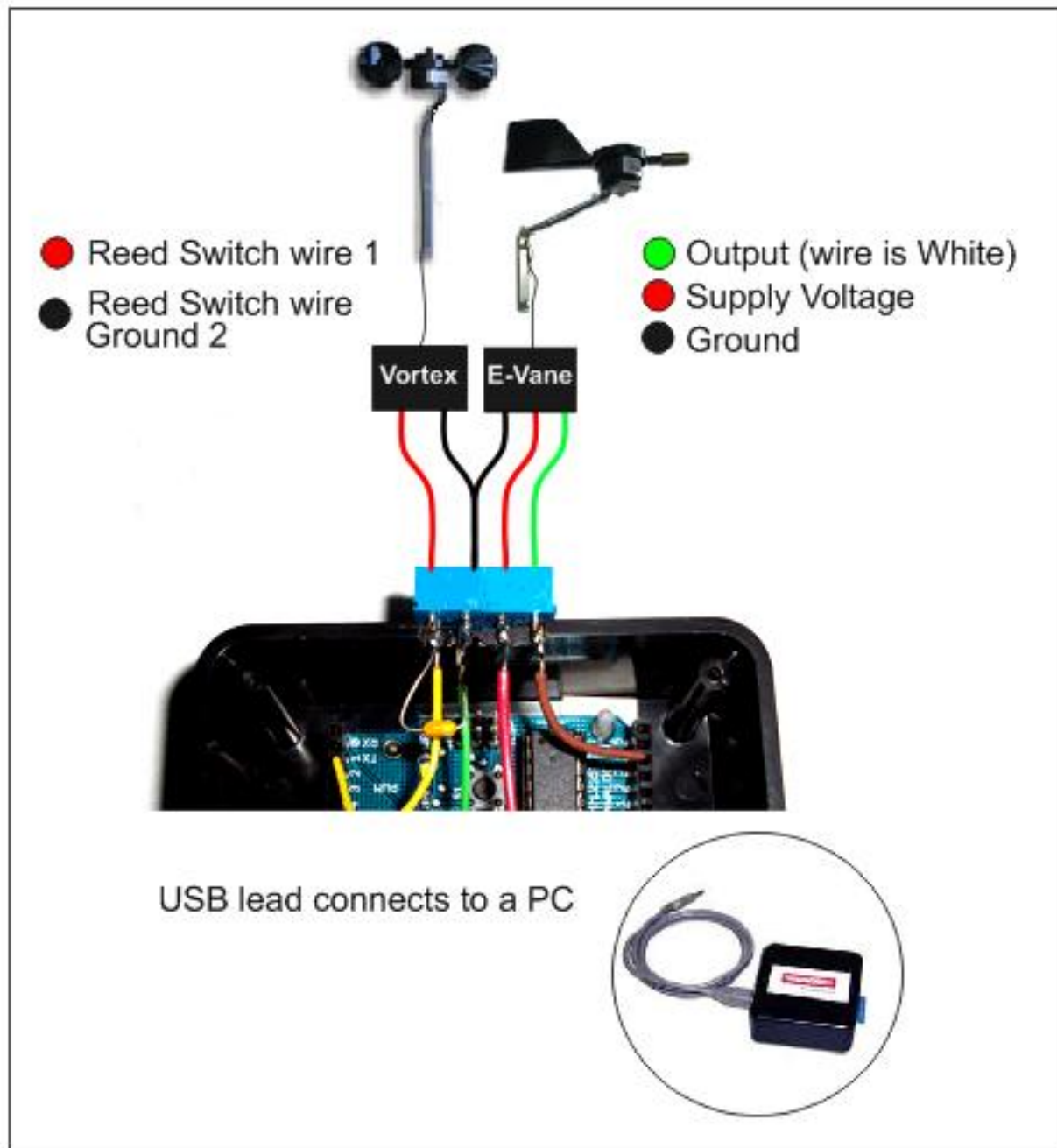
The voltage to the E-Vane is supplied from your PC, the voltage is 5 volts to protect this from cable shorts there is a fuse. please refer to your computer to find out what your computer APMs are on your USB port the fuse with the device is rated at 250 milliamps **important to check your specs, change the fuse to the correct amps**



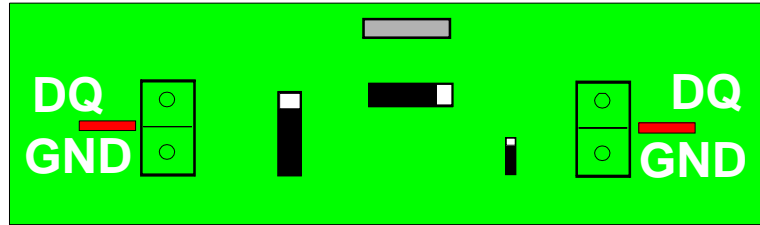
lightning protection circuit for windworks

Designed and built by a hobby enthusiasts
no warranty can be given due to the nature
of the subject that the electronics are protecting from

Michael Parry-Thomas {www.weather-above.com}

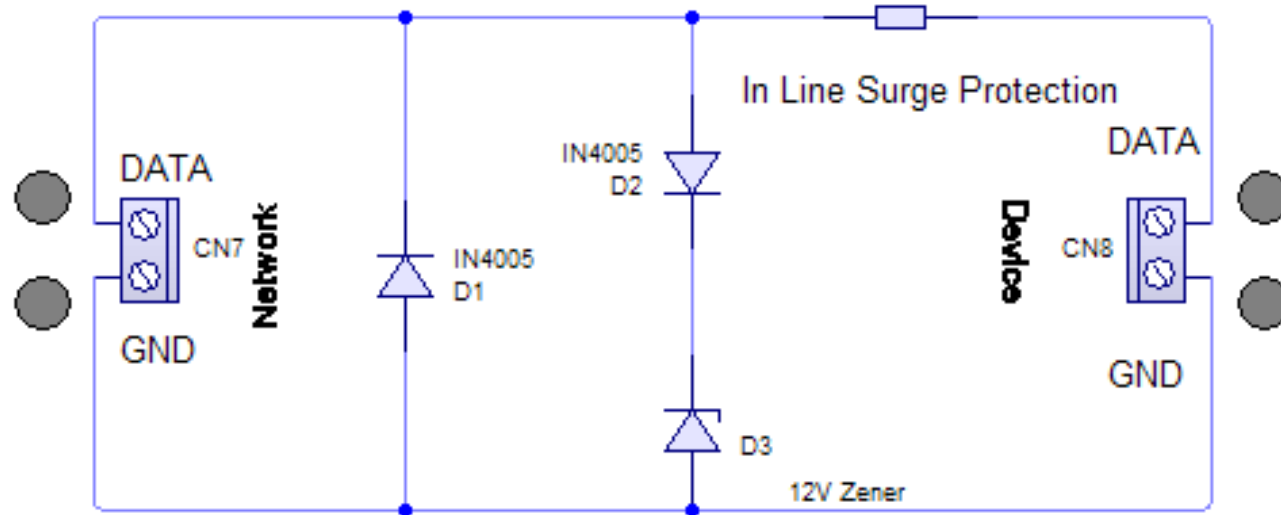


Network TO 1 Wire Device



Device TO PC Side

**In line lightning
Surge protection
for 1 wire devices**



In line protection circuit based on Philip Gladstone

Artwork By
Michael Parry-Thomas

1	2	3	4	5	6	7	8
White Green	Green	White Orange	Blue	White Blue	Orange	White Brown	Brown
Power Return	+5v DC Regulated	Power Return	1 Wire Data	1 Wire Return	Not Connected	+12v to +24v Unregulated	Power Return
GND	+5v	GND	DQ	GND	X		GND

lightning Inline protection circuit for windworks
Designed and built by a hobby enthusiasts
no warranty can be given due to the nature
of the subject that the electronics are protecting from

Michael Parry-Thomas {www.weather-above.com}